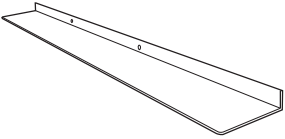
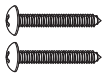


24" FLUSH MOUNT DEFLECTOR VENT: SKMD24FOAS / SKMD24FOAH INSTALLATION INSTRUCTIONS

IMPORTANT NOTES TO THE INSTALLER

- Read all of the Installation Manual that is included with the Microwave Drawer before installing in the flush mount configuration.
- Observe all governing codes, ordinances, and safety instructions.
- Be sure to leave these instructions with the consumer.

Parts includes:

Part	SKMD24FOAS	SKMD24FOAH
	PREF-B019MRP0 Flush Mount Deflector Vent (Stainless steel) Qty. 1	PREF-B026MRT0 Flush Mount Deflector Vent (Dark gray) Qty. 1
	LX-CZB055MRE0 Mounting screws (Stainless steel) Qty. 2	LX-CZB073MRE0 Mounting screws (Black) Qty. 2

1. Prepare cabinet opening as shown in Figures 1, 2A, 2B, 2C.

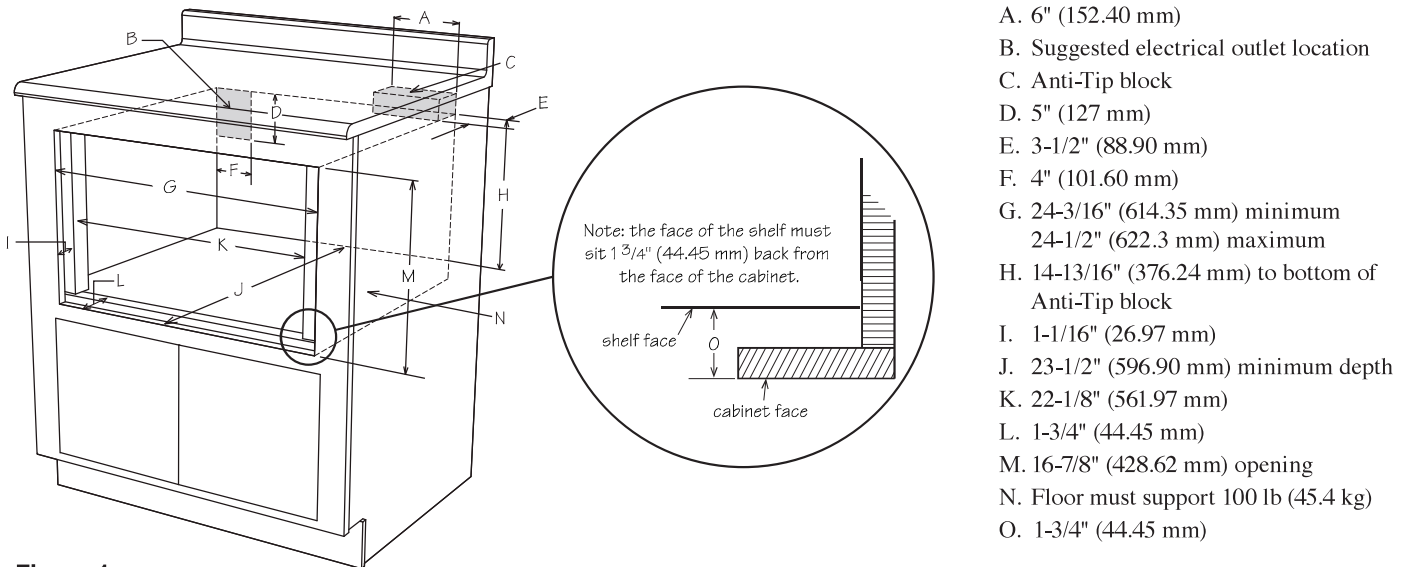


Figure 1

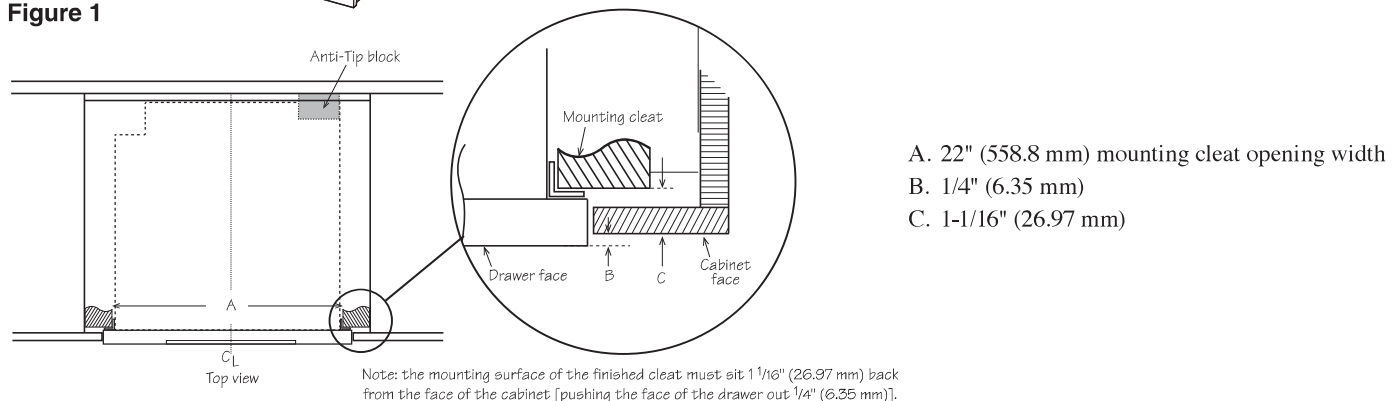


Figure 2A

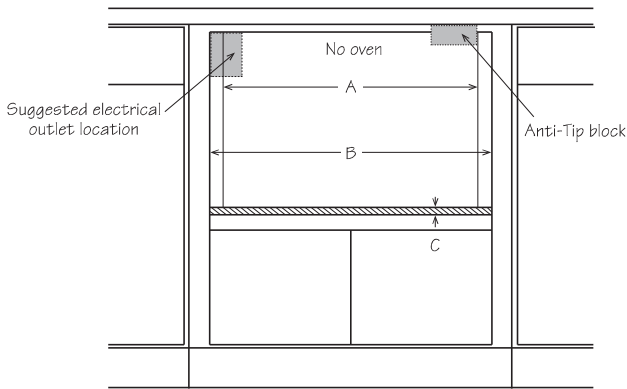


Figure 2B

Front view

- A. 22-1/8" (561.97 mm) mounting cleat opening width
- B. 24-3/16" (614.35 mm) minimum
24-1/2" (622.3 mm) maximum
flush opening width
- C. 3/4" (19.05 mm) shelf

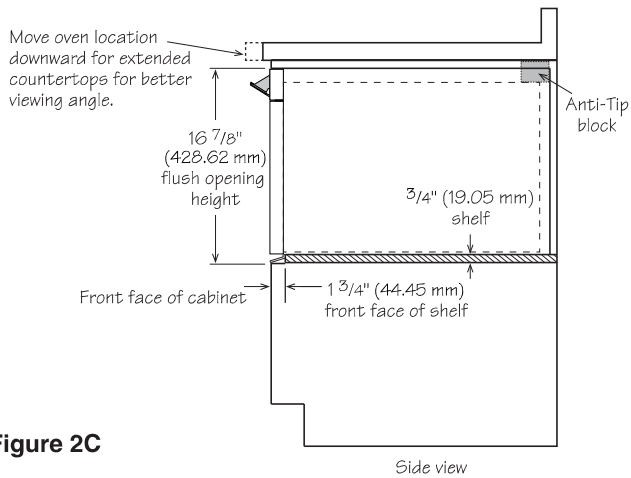


Figure 2C

Side view

2. Install deflector as shown in Figure 3A.

Shelf detail showing the deflector vent during installation. Position deflector vent and mark holes. Pre drill using a 1/16" (1.57 mm) bit before mounting.

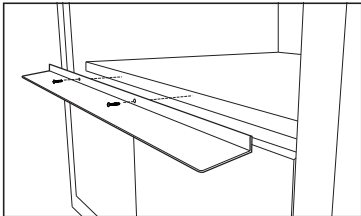


Figure 3A

Shelf detail showing the deflector vent installed.

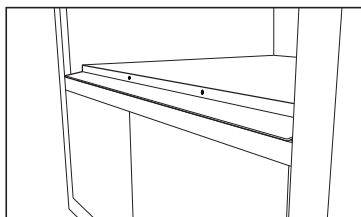


Figure 3B

3. Place the drawer adjacent to the wall or cabinet opening. Plug the power supply cord into the electrical outlet.
4. Carefully guide the drawer into the prepared opening. Avoid contact with the sides of the cutout opening and also pinching the cord between the oven and the wall.
5. Slide the drawer all the way back until the mounting flanges touch the cleats mounted in the cabinet opening.
6. Open the drawer. Using the 4 holes on the drawer as a template, pre drill the cabinet using a 1/16" (1.57 mm) bit. See Figure 4.

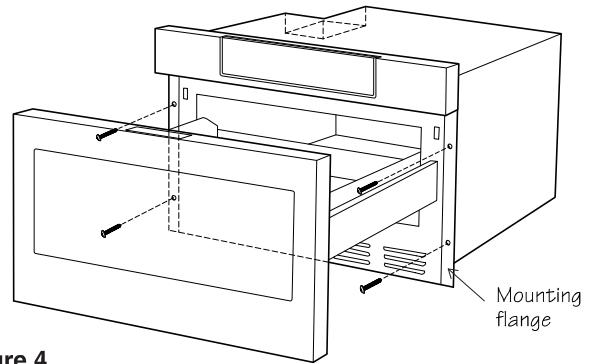


Figure 4

7. Secure the drawer with the 4 screws supplied.

