

SHARP

Simply Better Living

Smart Combi Steam Oven

SSC2489GS**1.1
CU. FT.****24"
WIDTH****SPECIFICATIONS****DESIGN**

Finish	Stainless Steel, Black Glass
Control Location	Right Side on Door
Control Type	Full Color Touch Navigation, Wi-Fi Indication and 4 Mechanical Buttons on Door
Trim Kit	No

OVEN INTERIOR

Capacity (cu. ft.)	1.1 cu. ft.
Finish	Non-Stick
Colour	Speckled Gray
Interior Light	Incandescent
Stage Lighting	LED Light

FEATURES

Cooking Modes	Manual Mode and Smart Cook
Manual Mode Cooking Methods	
Superheated Steam	Air Fry / Steam Roast and Steam Grill
Dry Heat	Convection Bake
Steam Bake	Steam Bake Breads, Steam Bake and Water Bath
Steam	Steam Cook, Steam Keep Warm and Steam Refresh
Oven Settings	Wi-Fi Connect, Sound, Control Lock, Demo, and Temperature
Cleaning Modes	Sterile, Descale, Oven Cleaning - Steam and New Oven Clean

MANUAL MODES TEMPERATURE GUIDE / MAX COOK TIME

SuperSteam Grill	485°F / 40 Minutes
Air Fry / Steam Roast	212°F - 485°F / 2 Hours
Convection Bake	212°F - 485°F / 2 Hours
Steam Bake	
Breads	350°F - 425°F / 2 Hours
Water Bath	250°F - 300°F / 2 Hours
Steam Cook	
Steam Cook	212°F / 1.5 Hours
Steam Keep Warm	175°F / 1 Hour
Steam Refresh	130°F / 2 Hours
Steam Proof	100°F / 2.5 Hours

ADDITIONAL FEATURES

Door Drip Tray	Yes
Water Reservoir Capacity	24 oz.
Accessories	2 Baking / Steam Trays 1 Broil / Grill Rack

OPTIONAL ACCESSORY

Product Name	Under the Counter Pedestal
Model	SKCD24U0GS
Colour	Stainless Steel or Custom Panel Ready
UPC	074000621459

ADDITIONAL SPECIFICATIONS

Power Source (Voltage, Hz)	AC 120V, 60Hz, AC Only
Circuit Breaker	12A
Safety Compliance	CUL Certified

DIMENSIONS & WEIGHT (in./lbs.) (w x h x d)

Cavity Dimensions	15.55" x 9.45" x 12.01"
Product Dimensions	23.5" x 19.5" x 17.0" (without handle) 23.5" x 19.5" x 18.9" (with handle)
Shipping Dimensions	32.1" x 26.0" x 26.7"
Product Weight / Shipping Weight	63.0 lbs. / 70.0 lbs.

WARRANTY/UPC

Parts	1 year limited
Labour	1 year limited
UPC	074000621671

*Internal capacity calculated by measuring maximum width, depth and height. Actual capacity for holding food is less.

Product specifications and design are subject to change without notice.

¹Alexa application may not be available in Canada at the time of sale.

© 2023 Sharp Electronics of Canada Ltd. All rights reserved.

Sharp and all related trademarks are trademarks or registered trademarks of Sharp Corporation and/or its affiliated companies. All other trademarks are property of their respective owners.

SIMPLY BETTER LIVING

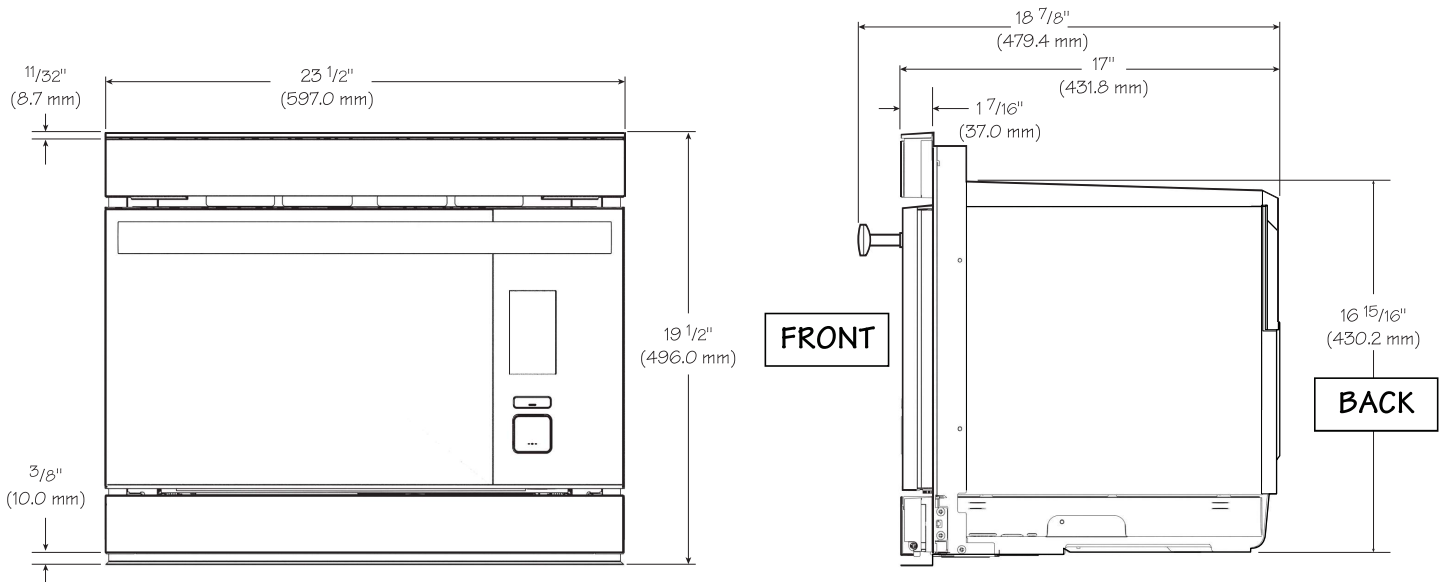
At Sharp Electronics of Canada, we are committed to Simply Better Living. Our innovative home appliance products are SIMPLE to use, BETTER than the competition, and encourage a HEALTHY LIFESTYLE.

SHARP ELECTRONICS OF CANADA LTD.
335 Britannia Road East, MISSISSAUGA, ONTARIO L4Z 1W9
Tel: 905-568-7140. www.sharp.ca

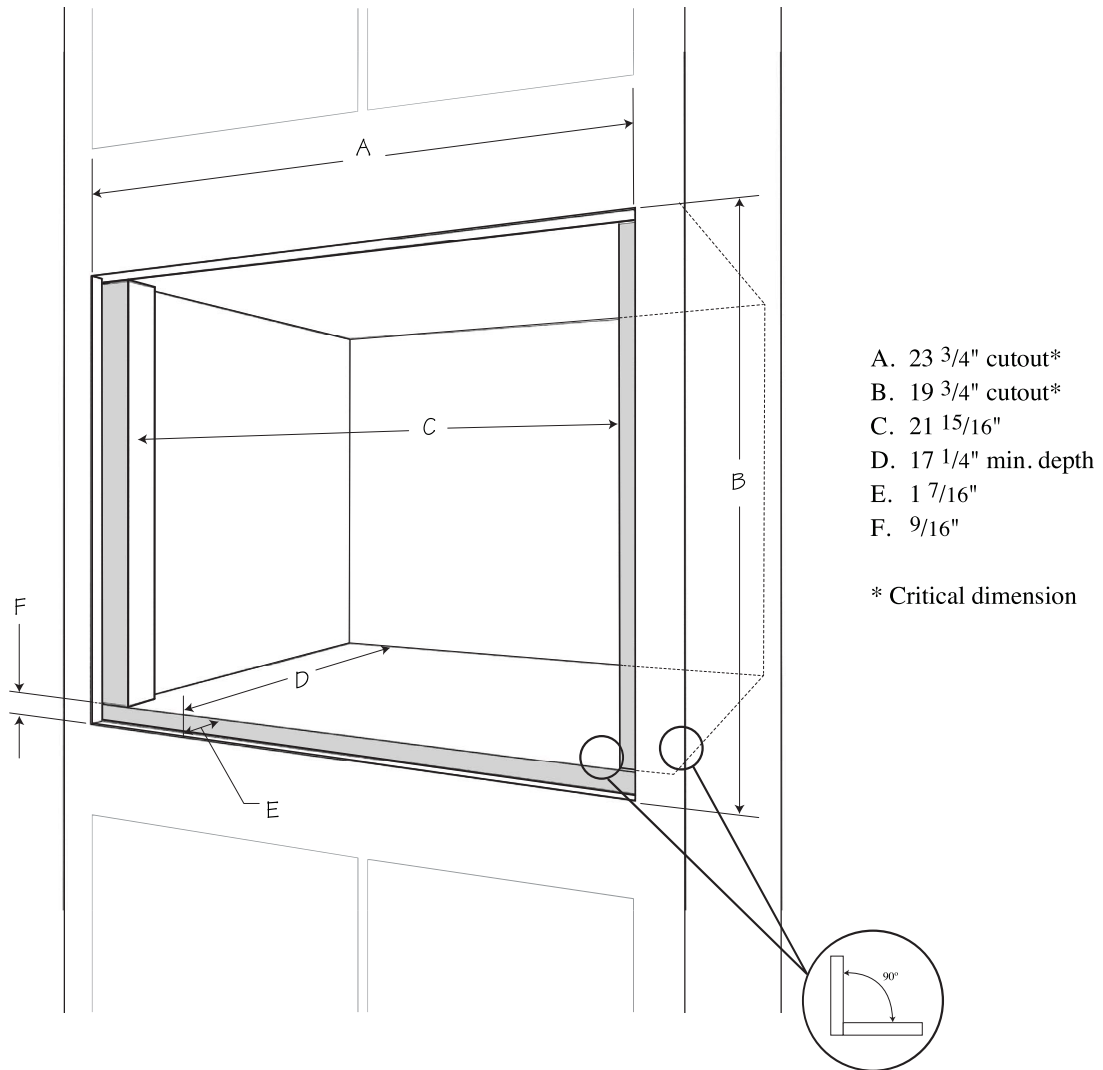


SHARP
Be Original.

OVEN MEASUREMENTS



CLEARANCES AND DIMENSIONS FOR FLUSH MOUNT



Ensure the shelf that the appliance rests on is 90° to the cabinet face.

CLEARANCES AND DIMENSIONS FOR STANDARD SURFACE MOUNT

