

## 30" FLUSH MOUNT DEFLECTOR VENT: SKMD30FOAS INSTALLATION INSTRUCTION

### IMPORTANT NOTES TO THE INSTALLER

- Read all of the Installation Manual that is included with the Microwave Drawer before installing in the flush mount configuration.
- Observe all governing codes, ordinances, and safety instructions.
- Be sure to leave these instructions with the consumer.

Parts includes:

Qty.	Part number
1	PREF-B020MRP0 Flush Mount Deflector Vent
2	LX-CZB055MRE0 Mounting screws

1. Prepare cabinet opening as shown in Figures 1, 2A, 2B, 2C.

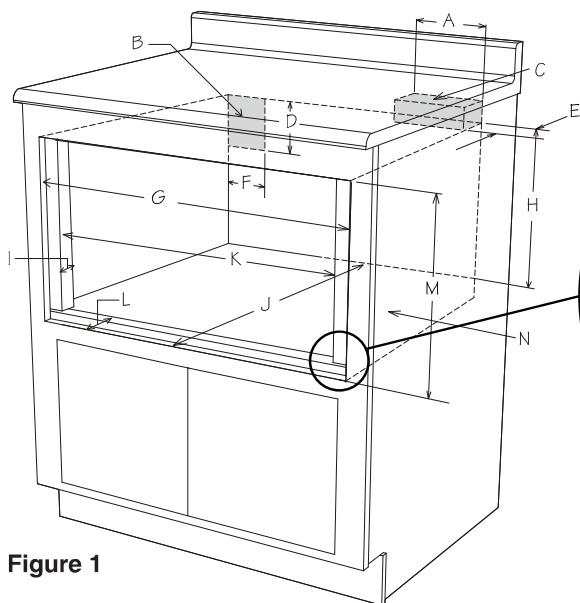
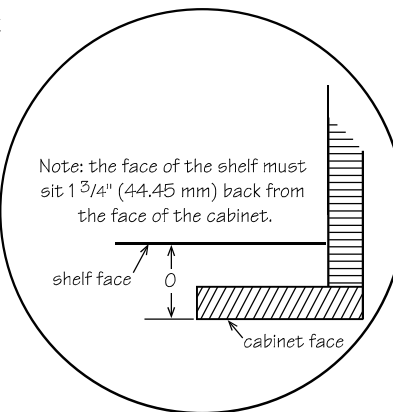
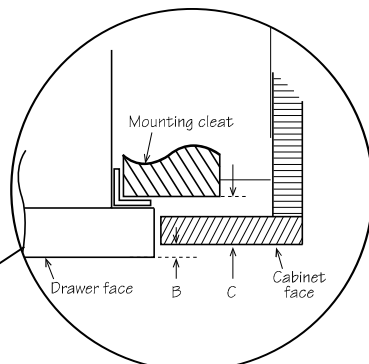
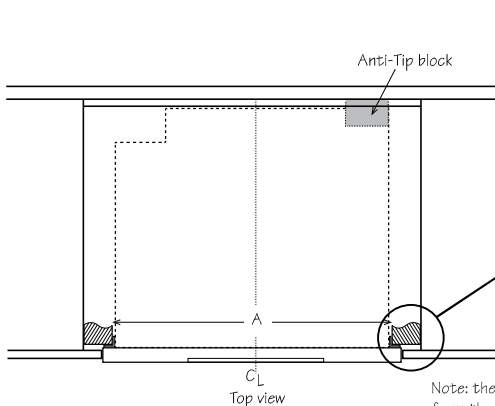


Figure 1

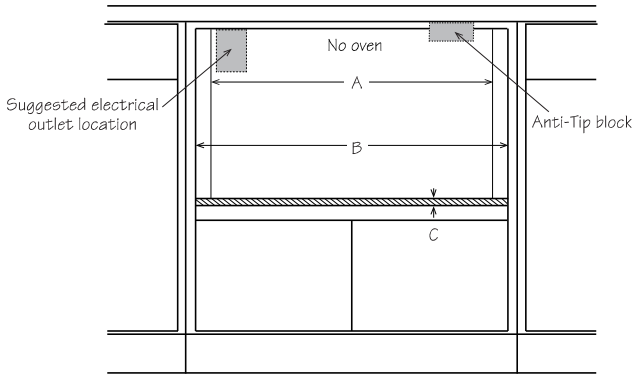


- A. 6" (152.40 mm)
- B. Suggested electrical outlet location
- C. Anti-Tip block
- D. 5" (127 mm)
- E. 3-1/2" (88.90 mm)
- F. 4" (101.60 mm)
- G. 30-5/16" (769.92 mm) minimum  
30-5/8" (777.87 mm) maximum
- H. 14-13/16" (376.24 mm) to bottom of  
Anti-Tip block
- I. 1-1/16" (26.97 mm)
- J. 23-1/2" (596.90 mm) minimum depth
- K. 28-7/16" (722.3 mm)
- L. 1-3/4" (44.45 mm)
- M. 16-7/8" (428.62 mm) opening
- N. Floor must support 100 lb (45.4 kg)
- O. 1-3/4" (44.45 mm)



- A. 28-1/2" (723.9 mm) mounting cleat opening width
- B. 1/4" (6.35 mm)
- C. 1-1/16" (26.97 mm)

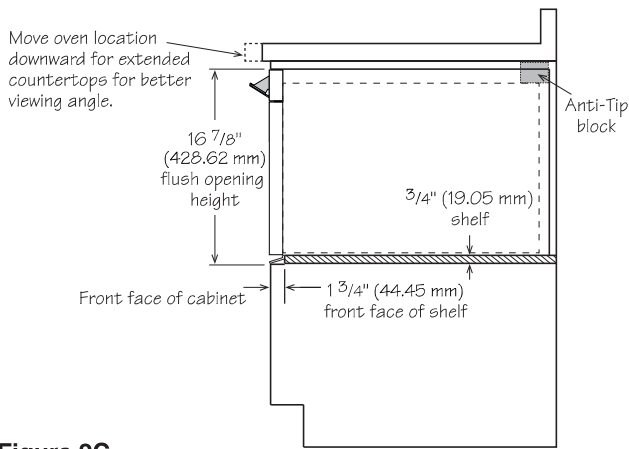
Figure 2A



**Figure 2B**

Front view

- A. 28-7/16" (722.3 mm) mounting cleat opening width
- B. 30-5/16" (769.92 mm) minimum  
30-5/8" (777.87 mm) maximum  
flush opening width
- C. 3/4" (19.05 mm) shelf

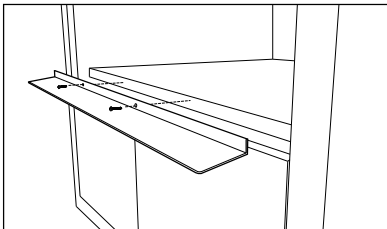


**Figure 2C**

Side view

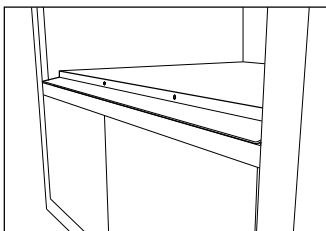
2. Install deflector as shown in Figure 3A.

Shelf detail showing the deflector vent during installation.  
Position deflector vent and mark holes. Pre drill using a 1/16" (1.57 mm) bit before mounting.



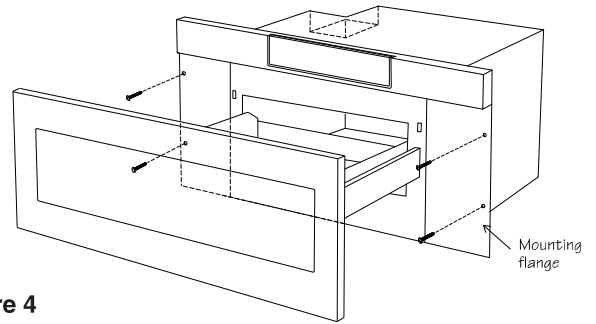
**Figure 3A**

Shelf detail showing the deflector shield installed.



**Figure 3B**

3. Place the drawer adjacent to the wall or cabinet opening. Plug the power supply cord into the electrical outlet.
4. Carefully guide the drawer into the prepared opening. Avoid contact with the sides of the cutout opening and also pinching the cord between the oven and the wall.
5. Slide the drawer all the way back until the mounting flanges touch the cleats mounted in the cabinet opening.
6. Open the drawer. Using the 4 holes on the drawer as a template, pre drill the cabinet using a 1/16" (1.57 mm) bit. See Figure 4.



**Figure 4**

7. Secure the drawer with the 4 screws supplied.

